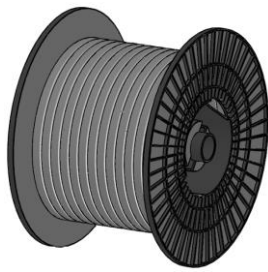
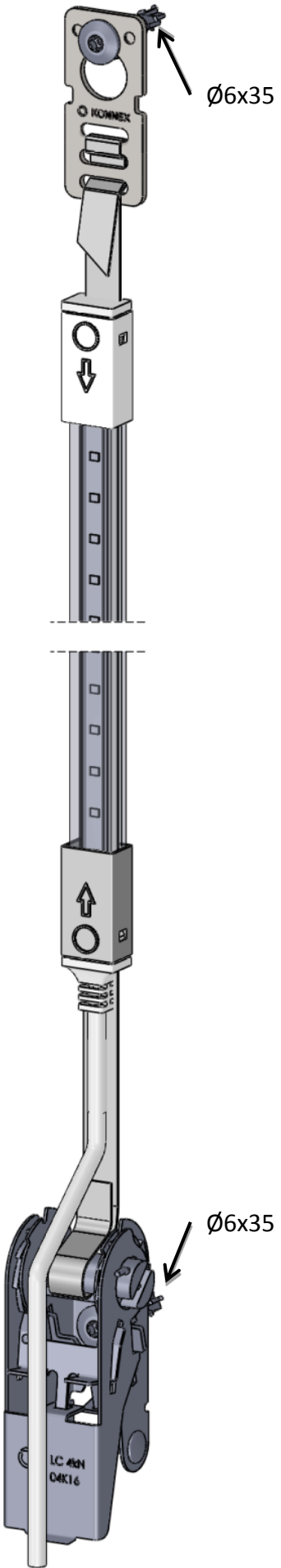
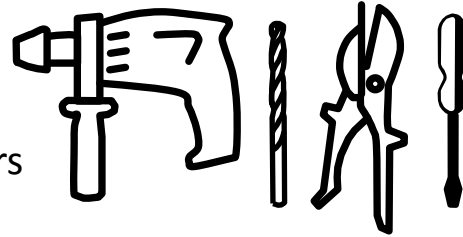


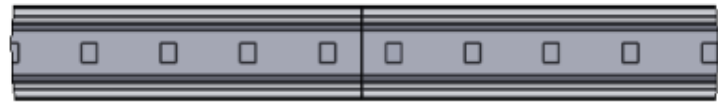
KONNEX Lightbelt-PI -> SELFBELT / Do It Yourself



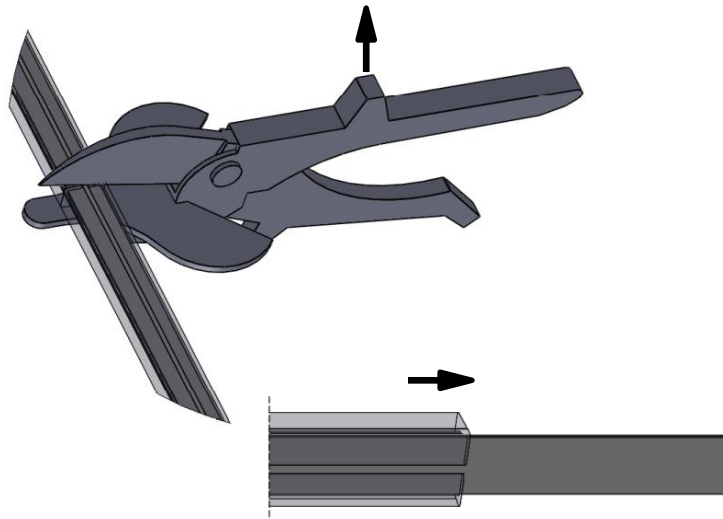
Tools:
 -hammer drill
 -stone drill Ø6 (x35)
 -cutter, mitre scissors
 -Torx-bit TX30



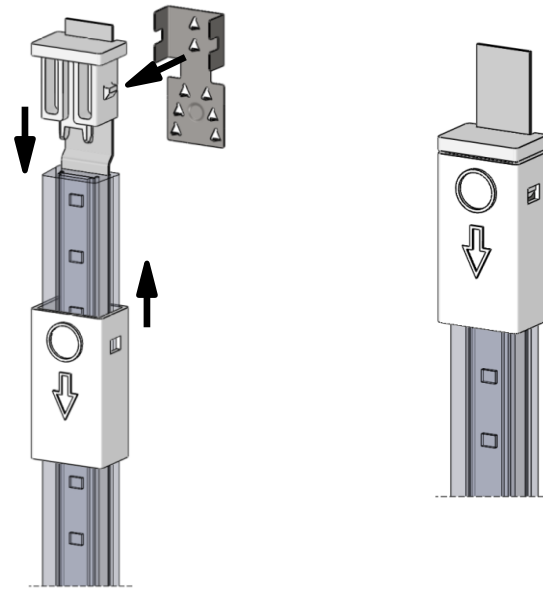
1 Cutting, each 0,5m possible



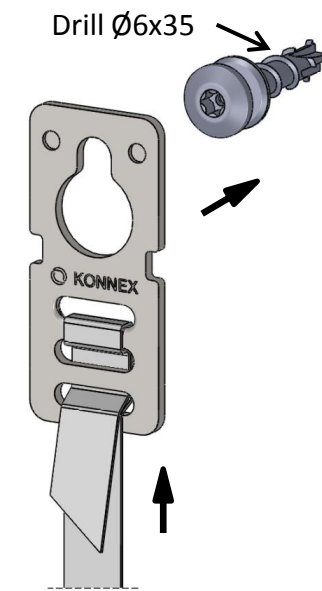
2 Pull out belt



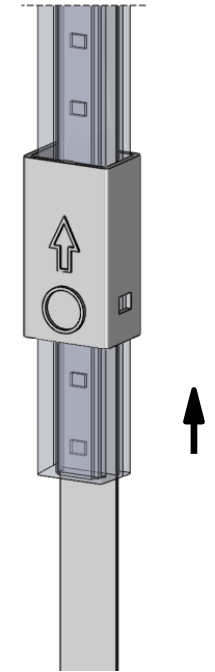
3 Assem. top



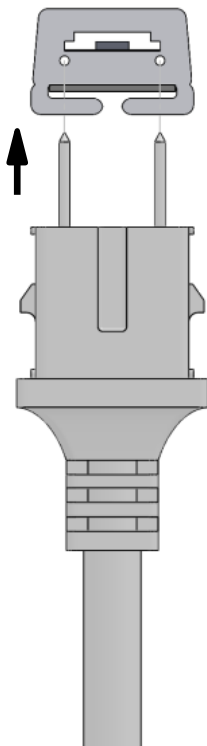
4 Threading I, hang-up



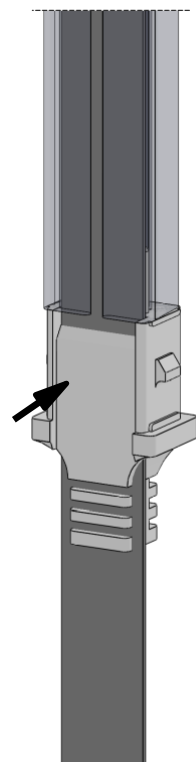
5 Assem. bottom I



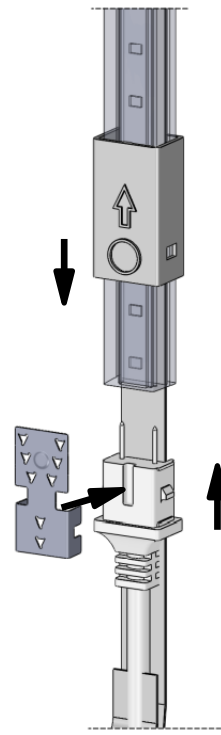
6 Power connection



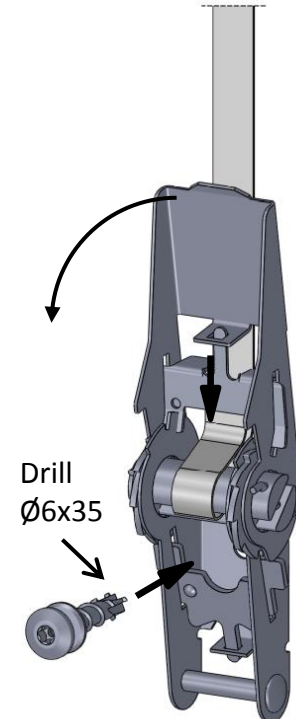
6a Belt over cable



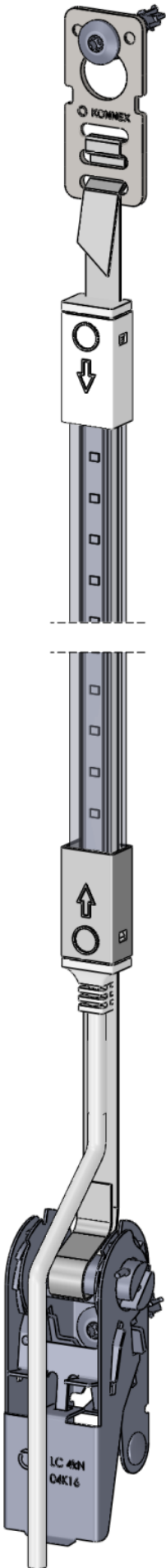
7 Assem. bottom II



8 Threading II, screw in, tighten



KONNEX Lightbelt-PI -> SELFBELT / Do It Yourself



Technical data LED	Lightbelt-PI
Brightness	1000 Lumen
shaft cross section	18 qm
Installation time	fast
Mounting holes	two
Power consumption	9 W/m
Dimensions LED	16x8mm
DIN	EN 81-20 + EN81-72
Max. lifetime	10.000 hours
Max. length, with open ends	100 Meter
Insulation	Protection class II
weight	0,20 kg/m
wire cross section LED strip	0,75 mm ²
Shortenability	0,5 m
EMC	EMC-Konform
CE	CE-Konform
RoHS	RoHS-Konform
REACH	REACH-Konform
Dimmable	✓
Illumination	84 LED's/m
Do it yourself	✓
Splash water protection IP54	✓
Waterproof IP68	✓
Power connection Euro plug 2m	✓
Power connection open ends 5m	✓
Power connection open ends 10m	✓
Material PVC, self-extinguishing	✓
Color tone 6000K, daylight white	✓
Color tone 3000K, warm white	✓